

Black Bros. leads the way in developing processes and machines that help manufacturers make many of the products we use every day.

We offer over 100 individual solutions for spreading adhesive, roll coating and finishing, laminating, and material handling, as well as complete systems for an ever-expanding range of industries.

Whether you are interested in a single machine or a complete system, contact Black Bros. to take advantage of their experience and manufacturing expertise. Complete testing and demonstration facilities are available.

Black Bros. equipment leads the way in many industries including:

- Furniture and Wood Products
- Home Construction
- RV/Mobile Homes
- Automotive/Truck Manufacturing
- Marine Products
- Aircraft and Aerospace
- Building Materials
- Appliances

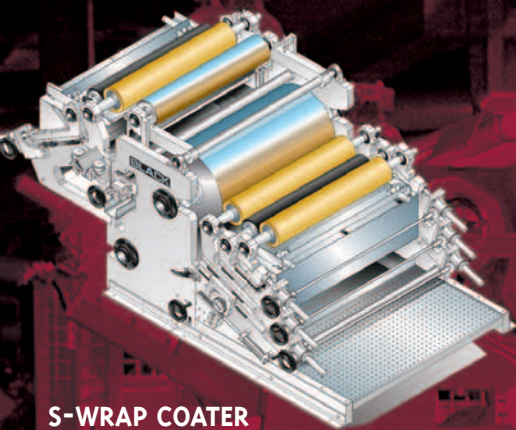
Innovative ENGINEERING
Quality MANUFACTURING
Dedicated SUPPORT
FOR OVER 100 YEARS!

HORIZONTAL CHEMICAL COATER

The Black Bros Co. Horizontal Chemical Coater applies a precise coating of pre-paint chemicals, phosphate, chromate, and acrylic anti-fingerprint treatments, as well as dry film lubricants to continuous coil coating paint and galvanize lines. The Horizontal Coater can operate in the "forward" or "reverse" roll application mode.



Available for a wide range of line speeds and coating thickness.
All coaters are covered by a 2-year warranty.

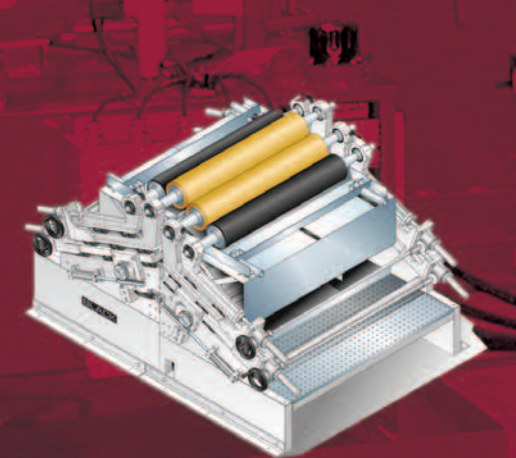


S-WRAP COATER

BLACK



HORIZONTAL COATER

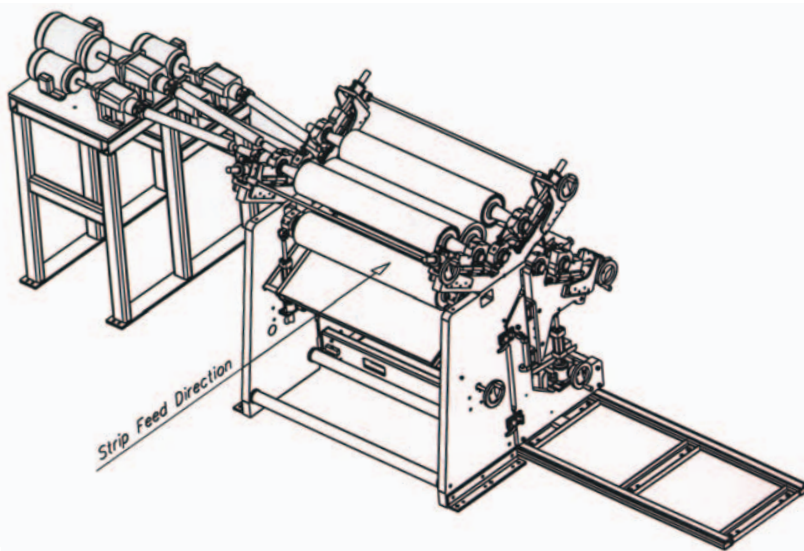
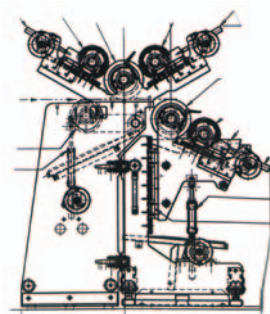
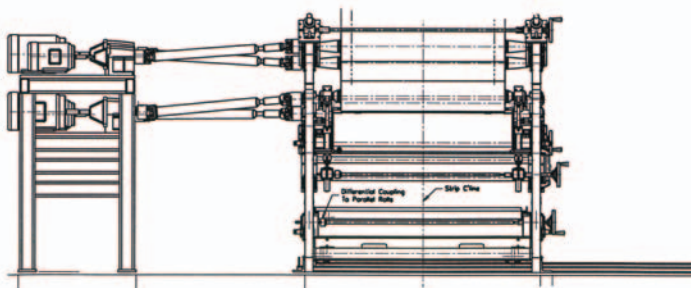


VERTICAL COATER

FEATURES

- 3" thick solid steel frames, blanchard ground, precision machined
- Roll out bottom head for easy cleanup
- Linear bearings on all sliding members provides smooth, precise positioning
- Stainless steel rolls, splash guards, and chemical pans for corrosion resistance.
- Drive stand with gear boxes, drive shafts and QD couplings
- Hydraulic power supply unit with solenoid valves for control of coater functions
- Precision roll bearings
- Fast roll change feature
- Forward and reverse roll coating applications
- Wide range of coating thicknesses possible
- Load cell option for roll pressure control
- Automatic washdown/cleanup cycle
- High speed coater applications available
- Single or multiple machine applications

SPECIFICATIONS



FOR MORE DETAILS, CONTACT YOUR NEAREST SALES/SERVICE DIVISION:

CORPORATE HEADQUARTERS
 BLACK BROS. CO.
 501 Ninth Avenue
 P.O. Box 410
 Mendota, IL 61342-0410
 Phone: 815.539.7451
 Fax: 815.538.2451
 URL: <http://www.blackbros.com>
 E-mail: info@blackbros.com

SOUTHEAST
 BLACK BROS. CO.
 SOUTHEAST DIVISION
 1315 Baker Road
 P.O. Box 4226
 High Point, NC 27263-4226
 Phone: 336.431.9145
 Fax: 336.431.9275

MIDWEST
 BLACK BROS. CO.
 MIDWEST DIVISION
 1420 West Armstrong Dr. (46580)
 P.O. Box 1014
 Warsaw, IN 46581-1014
 Phone: 574.269.4630
 Fax: 574.269.5291

BLACK BROS. CO.
 Cedar Hills, TX 75106
 Phone: 800.532.6159
 Phone: 214.244.8394
 Fax: 972.293.1618

EUROPE B.V.
 BLACK BROS. CO.
 Stootvalk 14
 3435 ZJ Nieuwegein
 The Netherlands
 Office: +31-30-60.54.003
 Mobile: +31-6-15.492.092
 Fax: +31-30-60.53.907