

Black Bros. leads the way in developing processes and machines that help manufacturers make many of the products we use every day.

We offer over 100 individual solutions for spreading adhesive, roll coating and finishing, laminating, and material handling, as well as complete systems for an ever-expanding range of industries.

Whether you are interested in a single machine or a complete system, contact Black Bros. to take advantage of their experience and manufacturing expertise. Complete testing and demonstration facilities are available.

Black Bros. equipment leads the way in many industries including:

- Furniture and Wood Products
- Home Construction
- RV/Mobile Homes
- Automotive/Truck Manufacturing
- Marine Products
- Aircraft and Aerospace
- Building Materials
- Appliances

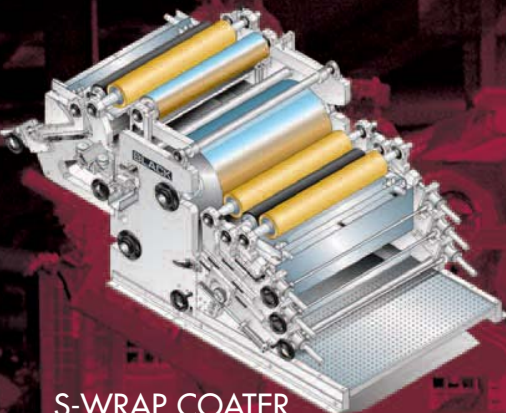
**Innovative** ENGINEERING  
**Quality** MANUFACTURING  
**Dedicated** SUPPORT  
FOR OVER 100 YEARS!

## VERTICAL COIL COATER

The Black Bros Co. Vertical Coil Coater applies a precise coating of pre-paint chemicals, phosphate, chromate, and acrylic anti-fingerprint treatments, as well as dry film lubricants and paints to continuous coil coating paint and galvanize lines. The Vertical Coater can operate in the "forward" or "reverse" roll application mode



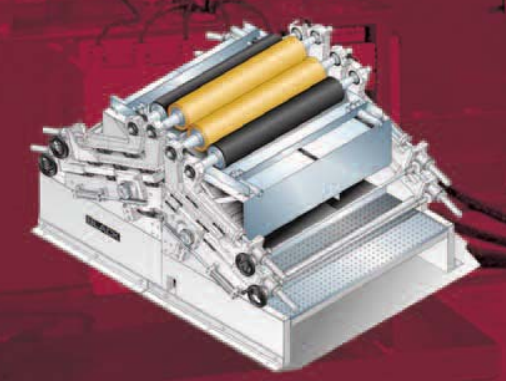
Available for a wide range of line speeds and coating thickness.  
All coaters are covered by a 2-year warranty.



S-WRAP COATER



HORIZONTAL COATER



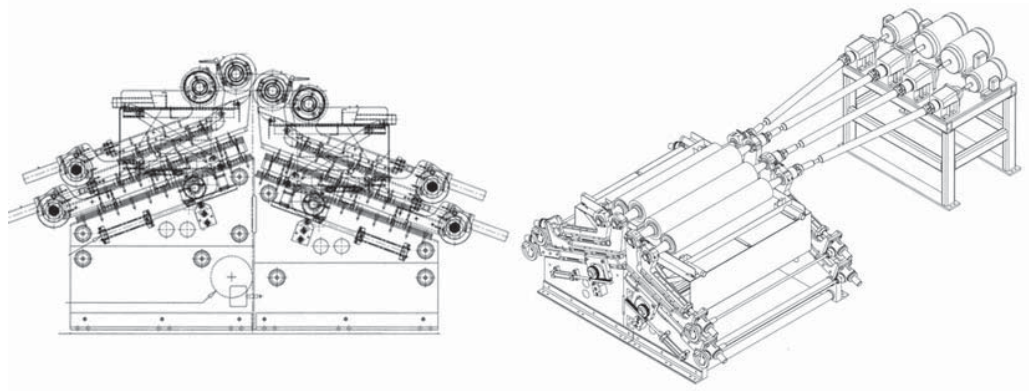
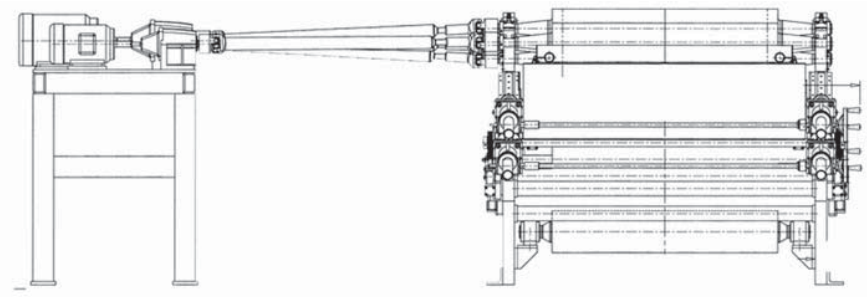
VERTICAL COATER

**BLACK**

**FEATURES**

- 3" thick solid steel frames, blanchard ground, precision machined
- Shuttle head configurations for fast color change
- Linear bearings on all sliding members provides smooth, precise positioning
- Stainless steel rolls, splash guards, and chemical pans for corrosion resistance.
- Drive stand with gear boxes, drive shafts and QD couplings
- Hydraulic power supply unit with solenoid valves for control of coater functions
- Precision roll bearings
- Fast roll change feature
- Forward and reverse roll coating applications
- Wide range of coating thicknesses possible
- Load cell option for roll pressure control
- Automatic washdown/cleanup cycle
- High speed coater applications available
- Single or multiple machine applications

**SPECIFICATIONS**



FOR MORE DETAILS, CONTACT YOUR NEAREST SALES/SERVICE DIVISION:

**CORPORATE HEADQUARTERS**  
 BLACK BROS. CO.  
 501 Ninth Avenue  
 P.O. Box 410  
 Mendota, IL 61342-0410  
 Phone: 815.539.7451  
 Fax: 815.538.2451  
 URL: <http://www.blackbros.com>  
 E-mail: [info@blackbros.com](mailto:info@blackbros.com)

**SOUTHEAST**  
 BLACK BROS. CO.  
 SOUTHEAST DIVISION  
 1315 Baker Road  
 P.O. Box 4226  
 High Point, NC 27263-4226  
 Phone: 336.431.9145  
 Fax: 336.431.9275

**MIDWEST**  
 BLACK BROS. CO.  
 MIDWEST DIVISION  
 1420 West Armstrong Dr.  
 (46580)  
 P.O. Box 1014  
 Warsaw, IN 46581-1014  
 Phone: 574.269.4630  
 Fax: 574.269.5291

**BLACK BROS. CO.**  
 Cedar Hills, TX 75106  
 Phone: 800.532.6159  
 Phone: 214.244.8394  
 Fax: 972.293.1618