



### *Versatile & Smart*

#### Model PC-495 68" Features:

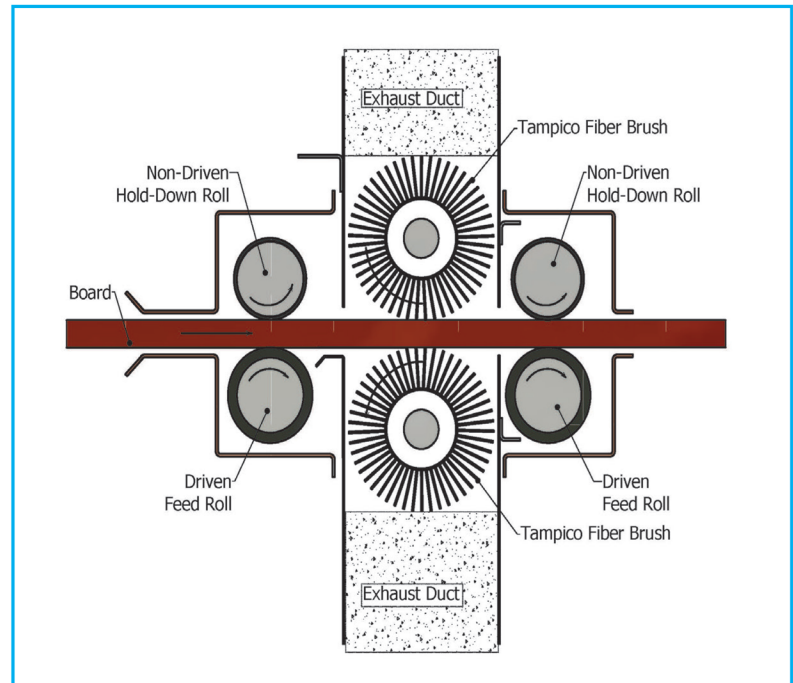
- Easy to maintain
- Low profile / high efficiency dust hoods
- In-feed/out-feed rollers
- 3D panel cleaning capability
- Optional "air blast" available

The Black Bros. PC-495 Panel Cleaner ensures a particle-free substrate prior to gluing or coating to help maintain a consistent, high-quality bond and reduce scrap in your laminating, finishing or veneering operation. The compact design facilitates an efficient vacuum and airflow system for maximum dust pickup and better conformance to today's wood dust regulations. Standard machine capacity is as follows:

- Variable feed speed: 40 - 120 FPM (12.2 - 36.6 MPM)
- Upper elevator range: 0 - 4 1/2 inch (0 - 114 mm)
- Minimum part length: 12 inch (305 mm)

## Features and Benefits

- Counter rotating brush rolls sweep the surface free of loose particles that could cause blemishes under laminated facing sheets or coated surfaces.
- Brushes rotate opposite direction of board at high speed
- Cleans both sides of stock in a single pass
- Highly efficient exhaust system removes loose particles from brushes to dust collection system (provided by customer)
- Elevator handwheel with digital roll opening indicator adjusts top cleaning brush and top hold-down rolls up to 4-1/2" (114 mm) for variable thicknesses
- Heavy duty, welded steel plate construction
- Infeed table and barrier guard



## Options

- Available in several sizes from 26" (660 mm) to 68" (1730 mm) brush lengths
- Torque Limiter allows Feed Rolls to slip when speed of Glue Spreader is not matched exactly
- Riser base is available for pass line height from 30" (762 mm) up to 45-1/2" (1156 mm)
- Air blast for deep cleaning sculpted areas

## Specifications (Approximate)

Models	Length	Width	Height	Weight
PC-495-26	59" (1499 mm)	31" (787 mm)	71" (1803 mm)	1550 lbs. (703 kg)
PC-495-38	71" (1803 mm)	31" (787 mm)	71" (1803 mm)	1850 lbs. (839 kg)
PC-495-44	77" (1956 mm)	31" (787 mm)	71" (1803 mm)	2000 lbs. (910 kg)
PC-495-56	89" (2261 mm)	31" (787 mm)	71" (1803 mm)	2300 lbs. (1045 kg)
PC-495-68	101" (2564 mm)	31" (787 mm)	71" (1803 mm)	2600 lbs. (1180 kg)



For more details, contact your nearest Sales/Service Division:

### Corporate Headquarters

BLACK BROS. CO.  
501 Ninth Avenue  
P.O. Box 410  
Mendota, IL 61342-0410  
Phone: 815.539.7451  
Fax: 815.538.2451  
www.blackbros.com  
E-mail: info@blackbros.com

### Southeast

BLACK BROS. CO.  
SOUTHEAST DIVISION  
1315 Baker Road  
P.O. Box 4226  
High Point, NC 27263-4226  
Phone: 336.431.9145  
Fax: 336.431.9275